

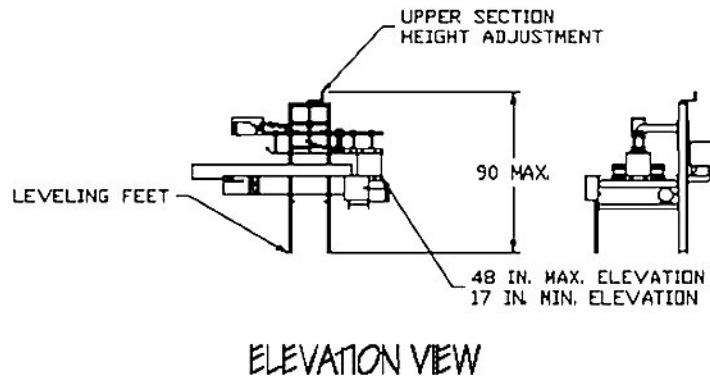
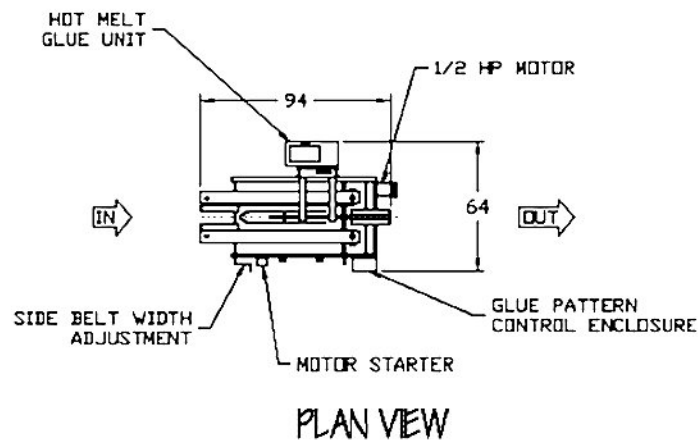


T.A.D. Packaging Machinery, Inc. 817RSC Case Sealer



The Model 817 Case Sealer is known for its rugged reliability, compact design, and simple operation. Our case sealing machines are easy to install and versatile enough to meet your production needs. This unit is an automatic, side belt drive, top and bottom case sealer with a rigid cantilever upper section that includes a rear flap tucker, folder bars and compression section (glue only). The side belt drive positively holds onto the case while allowing safe, easy access to the machine. By utilizing side belts there are no lugs or flight bars to cause timing problems that result in jams and spills due to the lugs or bars ripping through the product; also, there is no bottom belt to collect glue or allow the case to tip back and jam during flap closing.

T.A.D. Packaging Machinery provides a wide range of case sealers to accommodate even the most difficult, hard to handle, large RSC boxes. Case size changeovers are a snap using a crank adjustable tower for the height of the box and crank adjustable side belts for the width of the box; changeovers are completed within minutes with virtually no interruption in production flow. The model 817 can be purchased to seal boxes with tape or glue and configured to seal as top only, bottom only or top and bottom closure.



STANDARD FEATURES

- Speeds to 60 cases per minute
- Heavy duty powder coated steel frame
- 3" wide side belt drive
- Aluminum or plated case contact parts
- Automatic rear flap tucker
- Quick case size changeover
- NEMA 1 electrical wiring
- Choice of motor voltage
- Choice of line height
- Compact design
- Choice of Hot Melt, Cold Glue or Pressure Sensitive Tape

OPTIONAL FEATURES

- Stainless steel construction
- Full lexan guarding with electrical interlocks
- Heavy duty casters
- Hand packing table
- Infeed pacer belt
- Case squaring stops
- Many other options available on request, please consult the factory
- Comprehensive machinery manual written on MSWord (includes diskettes)



T.A.D. Packaging Machinery, Inc.
 9764 6th Street, Rancho Cucamonga, CA 91730
 Phone (909) 476-0503 / Fax (909) 476-0573
www.tadpackaging.com