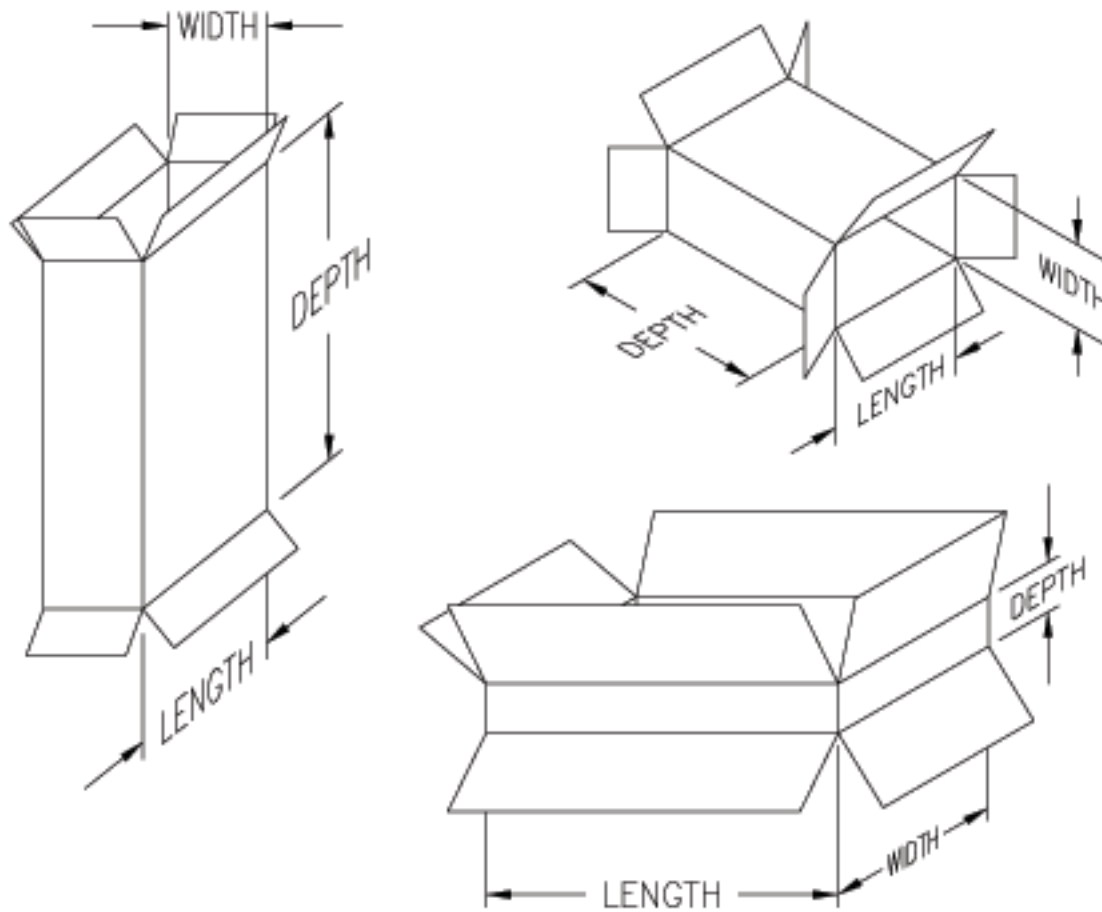


CASE INFORMATION

CASE DIMENSIONS

WHEN GIVING CASE DIMENSIONS, THEY SHOULD
ALWAYS BE GIVEN IN THE ORDER
LENGTH - WIDTH - DEPTH



THE LENGTH OF A CASE IS ALWAYS THE LONGEST OF THE SIDE PANELS.
THE WIDTH OF A CASE IS ALWAYS THE SHORTEST OF THE SIDE PANELS.
THE DEPTH OF A CASE IS ALWAYS FROM OPEN END TO OPEN END.

DOCUMENT NUMBER: **TG-1012-A**

TODD DICE



T.A.D. PACKAGING MACHINERY, INC.
10759 CIVIC CENTER DRIVE
RANCHO CUCAMONGA, CA 91730
PHONE (909) 476-0503 / FAX (909) 476-0573
WWW.TADPACKAGING.COM SALES@TADPACKAGING.COM

